



Security Seals For The 21st Century
nicproducts.com

Patent Pending

QUICKSEAL XLP-B

Product Guide

Advantages

Ease of Use: The QUICK SEAL XLP-B has a patent pending ergonomic design that enables the user to close the seal quickly and easily. NO TOOLS REQUIRED.

Security: The QUICKSEAL XLP-B's locking mechanism has been tested by the Los Alamos National Laboratory and is recommended (from among 150 seals tested) for use by the United States Department of Defense and Department of Energy.

Muriatic Acid Attack: The QUICKSEAL XLP-B is designed to withstand the most aggressive attacks on security seals including muriatic acid and other methods.

Versatility: The QUICKSEAL XLP-B is designed to fit a majority of applications through out most industries.

Manufacturing: All NIC Products Inc. seals are manufactured under ISO 9002 qualified production facilities.





QUICKSEAL XLP-B

Patent Pending

Versatile Wire-Loop Seal

Material:

Lexan™ (polycarbonate) w/ UV Additive. 1% acrylic mixture.

Wire:

1. Uncoated 2 or 3-stand type 304 stainless steel.
2. Nylon-coated 7-stand type 304 stainless steel.

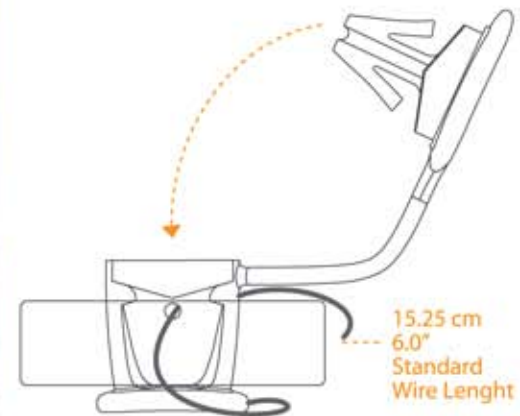
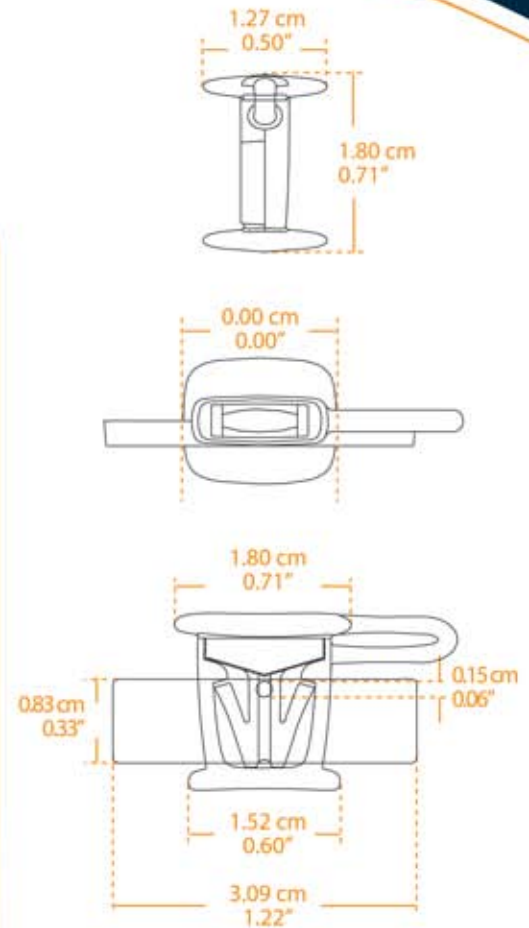
Capsule:

Internal locking mechanism permanently secures anchor and wire upon closing.

Colors:

1. Standard – Clear, Red, Blue, Yellow, Amber, Green, Gray, Black and Brown.
2. Custom - Opaque and fluorescent colors available subject to minimum order quality.

Packaging: 100 seals per bag and 5,000 seals per box.



NICseals, S. A. de C.V.
Aguila Azteca 20051-10
Baja Maq El aguila - C.P. 22215
Tijuana, B.C. - Mexico

Security Seals For The 21st Century
nicproducts.com